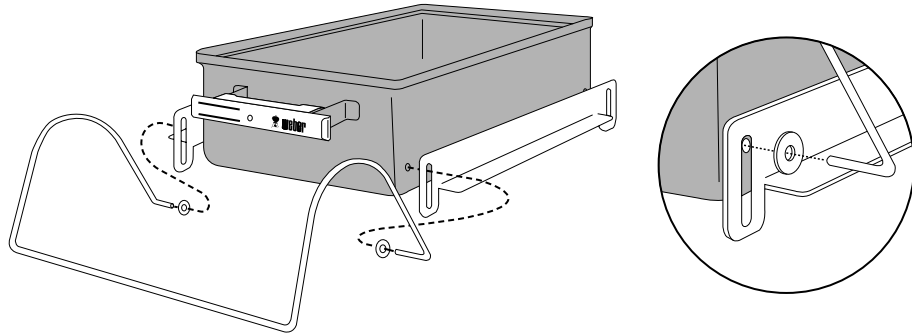


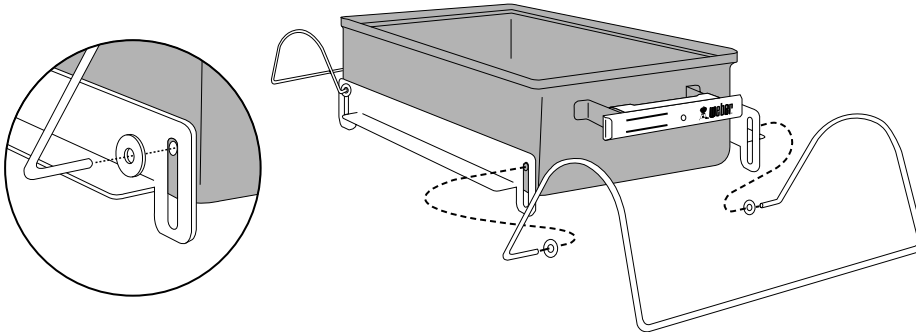


Weber Charcoal Go-Anywhere Grill

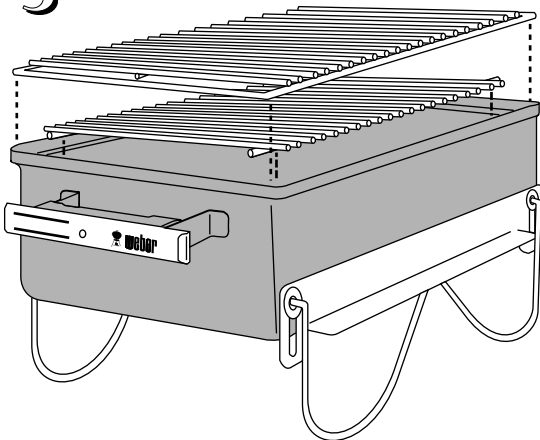
1



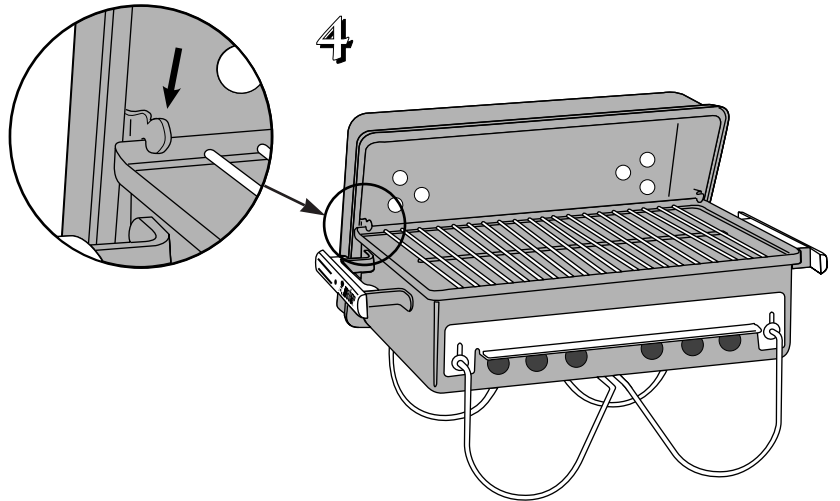
2



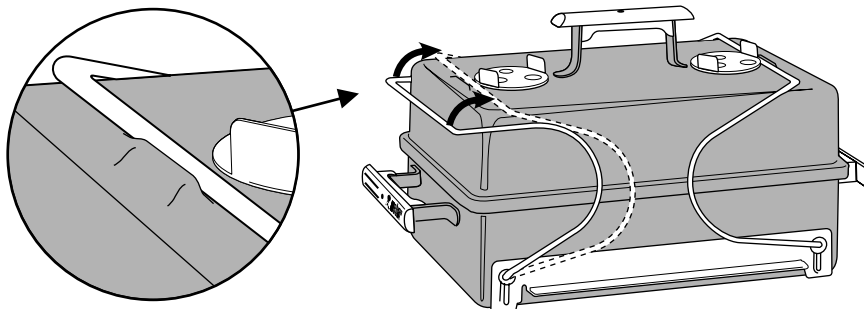
3




4



5



 Printed on recycled paper

© 1994 Weber. Weber,  and Go-Anywhere are registered U.S. trademarks of Weber-Stephen Products Co., 200 East Daniels Road, Palatine, IL 60067-6266, U.S.A. This product may be covered under various patents and trademarks in countries throughout the world. Printed in the U.S.A.