

# all seasons



Outdoor entertainment  
four seasons long.

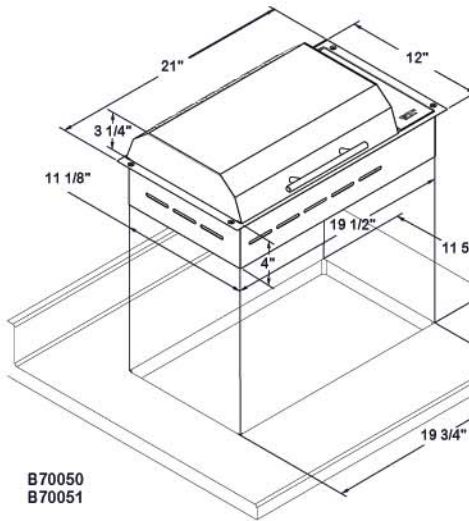
Electric ceramic glass  
touch controls and  
nonstick grates.

Easy clean up  
so you can enjoy  
the company you keep.



**KENYON**<sup>®</sup>  
*Custom*

# all seasons

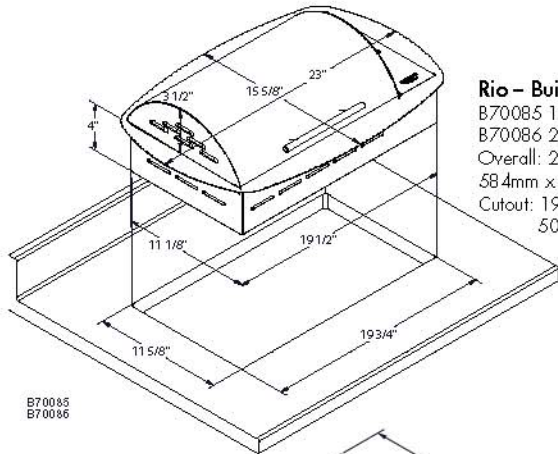


B70050  
B70051

### Frontier - Built-in

B70050 120 volt - 11 amp., 1300 watts  
 B70051 240 volt - 6 amp., 1300 watts  
 Overall: 21" x 12" x 4.5" (7.75" with lid)  
 533mm x 305mm x 114mm (197mm with lid)  
 Cutout: 19.75" x 11.625"  
 502mm x 295mm

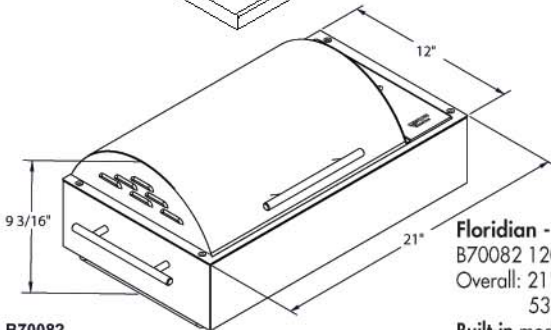
**Portable** model same dimensions as Floridian  
 B70090 120 volt - 11 amp., 1300 watts



B70085  
B70086

### Rio - Built-in

B70085 120 volt - 11 amp., 1300 watts  
 B70086 240 volt - 6 amp., 1300 watts  
 Overall: 23" x 15.625" x 4.5" (8" with lid)  
 584mm x 397mm x 114mm (203mm with lid)  
 Cutout: 19.75" x 11.625"  
 502mm x 295mm



B70082

### Floridian - Portable

B70082 120 volt - 11 amp., 1300 watts  
 Overall: 21" x 12" x 9.187"  
 533mm x 305mm x 233mm

**Built-in** models same dimension as Frontier built-in  
 B70080 120 volt - 11 amp., 1300 watts  
 B70081 240 volt - 6 amp., 1300 watts



### Optional Griddle

fits all models  
 B96000

**The Kenyon Custom  
 All Seasons Electric Grill  
 seals in flavor and juices  
 without the fuss of charcoal.  
 Enjoy the company  
 you keep.**

The days of lugging heavy bags of charcoal or tanks of gas to enjoy grilled food are gone. The Kenyon Custom All Seasons Electric Grill provides a safe method of grilling without the hazard of open flames associated with propane gas or charcoal grills. Simply touch the On/Off circle and then raise or lower the heat setting by pressing the + or - graphic on the sealed moisture proof ceramic glass panel and you are instantly cooking.

The touch control activates the concealed heating element while providing visual indication of the heat setting.

The nonstick grate imparts characteristic barbecue grill marks while sealing in the flavor and juices. A concealed electric element eliminates grease flare-ups while providing a virtually smokeless heat source. The nonstick grate and optional griddle are easily removed for cleaning between grilling. Also included is a disposable grease tray.

The Kenyon Custom All Seasons Electric Grill is constructed of 304 stainless steel and backed by the Kenyon three year warranty.

**KENYON**<sup>®</sup>  
*Custom*

Kenyon International  
 P.O. Box 925, Clinton, CT 06413  
 Tel: 860.664.4906  
 Fax: 860.664.4907  
[kenyonappliances.com](http://kenyonappliances.com)